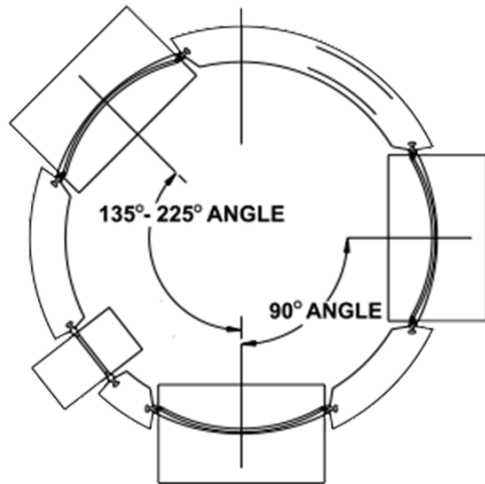


Your guide to choosing the maximum pipe diameter that will fit into a round concrete structure using A-LOK Premium, X-CEL or A-LOK STM Compression Connectors

A-LOK STM, X-CEL & Premium Cast-In Compression Connectors

Max Size Pipe OD's for Smooth Wall Pipe

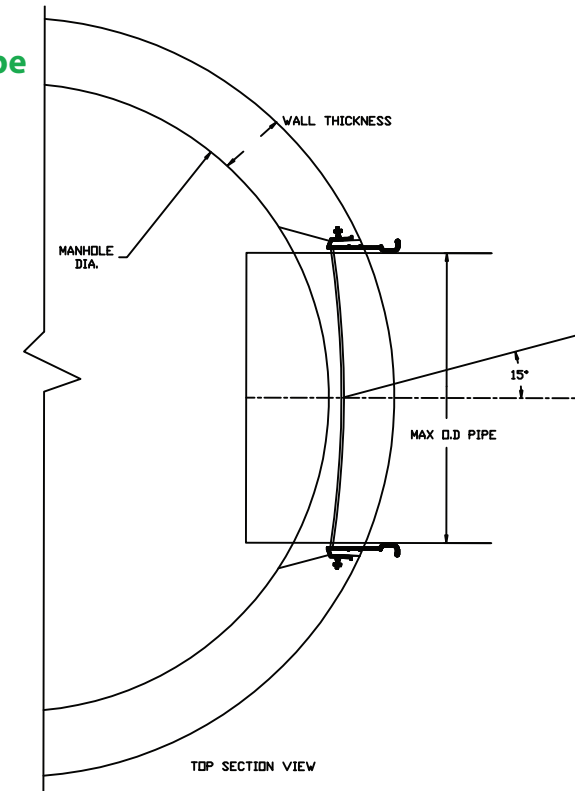
Manhole Diameter	135° - 225° Pipe Angle	90° Pipe Angle
42"	26.5"	22.0"
48"	31.5"	25.0"
60"	42.0"	32.0"
72"	52.5"	38.0"
84"	59.5"	44.0"
96"	73.5"	50.0"
108"	76.0"	56.0"
120"	85.0"	62.0"



Z-LOK Cast In Boot Style Connectors

Max Size Pipe OD's for Smooth Wall Pipe

Manhole Diameter	Maximum O.D. Pipe
48" Diameter 5" Wall	28"
60" Diameter 6" Wall	30"
72" Diameter 7" Wall	37"
84" Diameter 8" Wall	44"
96" Diameter 9" Wall	51"



"It's all about the ability to install a compression connector in a curve instead of the straight line installation a boot style connector requires"